

TOUCH ART TWO ZONE SWITCH

(T18 102)

Technical Manual



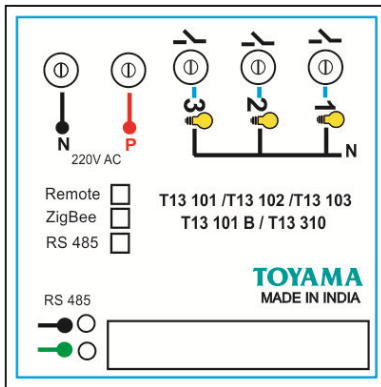
DESCRIPTION:

Toyama Touch Art switches are intelligent control devices that provides convenient and comfort to the user. Usage of SMD components not only ensures reliability but also makes the product highly compact for its functionality and features. The use of SMPS (Switch Mode Power supply) makes the Touch Art switches operational across countries from North America having 127V supply to European/Asian countries having 230V supply without any field setting. The various functions can be performed from the wall unit or hand held IR remote. Option is available for the switches to operate with home gateway through Wireless Zigbee protocol or wired RS485/232 interface for Automation.

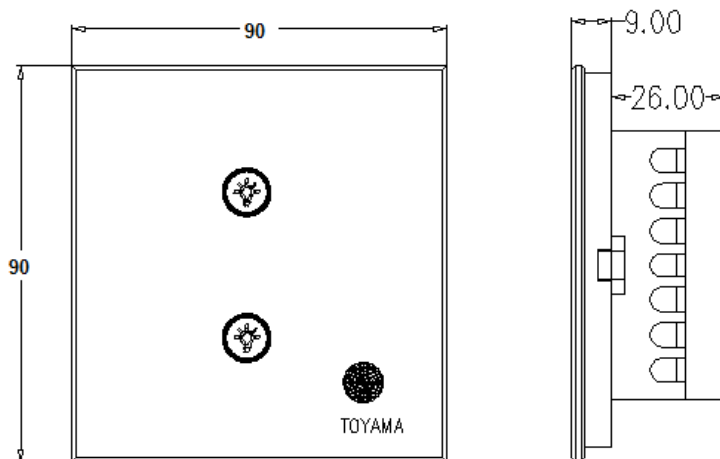
TECHNICAL DATA:

- Power Source : 90-270V/AC
- Power Frequency : 50-60Hz
- Number of Switching Zones : 2
- Load per switching zone : GLS bulbs 1000W
Halogen lamps 300W
Fluorescent lamps 4 fittings
LED fitting/Strip – 12V/3A to 5A driver - 1 no only
LED fitting/Strip – 12V/1A to 2A driver - 2 no's only
- Remote Operating range : 25 Feet
- Operating Temperature : -10 to +55 °C
- Standby power Consumption : <10mW

WIRING DIAGRAM:



MECHANICAL DIMENSIONS:



Note: Suitable For:

- Mounting metal box for the device - 2 Module (75mmX 75mmX50mm)
- Use 1.5 Sq.mm flexible wires for Phase, Neutral & Load connections.

Safety Warnings:

- If the input voltage increases to 440V the device will burn.
- Each on/off circuit is rated to 5A **resistive** load only. If the load is greater than the specification the device will be damaged and will no longer functions.
- If it is LED or CFL fittings connect one or two only per circuit. Anything more may weld the switch contacts and leave the loads permanently ON.
- If a direct short is created on the output /load, the device will be damaged and will no longer functions.

Standard Warranty:

Toyama offers a standard 12 months limited warranty on all the Touch Art switches